



Scan for more information

**PA-04**  

---

**User Manual**

# Table of Contents

Specifications.....	3
Dimensions.....	4
Speed vs Load/Current vs Load 12V.....	5
Speed vs Load/Current vs Load 24V.....	6
Connectors.....	7
Mounting Ends.....	7
Mounting Brackets.....	8
Internal Components.....	9
Internal Descriptions.....	10

**Have any queries? Our expert engineers are here to help!**



[sales@progressiveautomations.com](mailto:sales@progressiveautomations.com)



1-800-676-6123



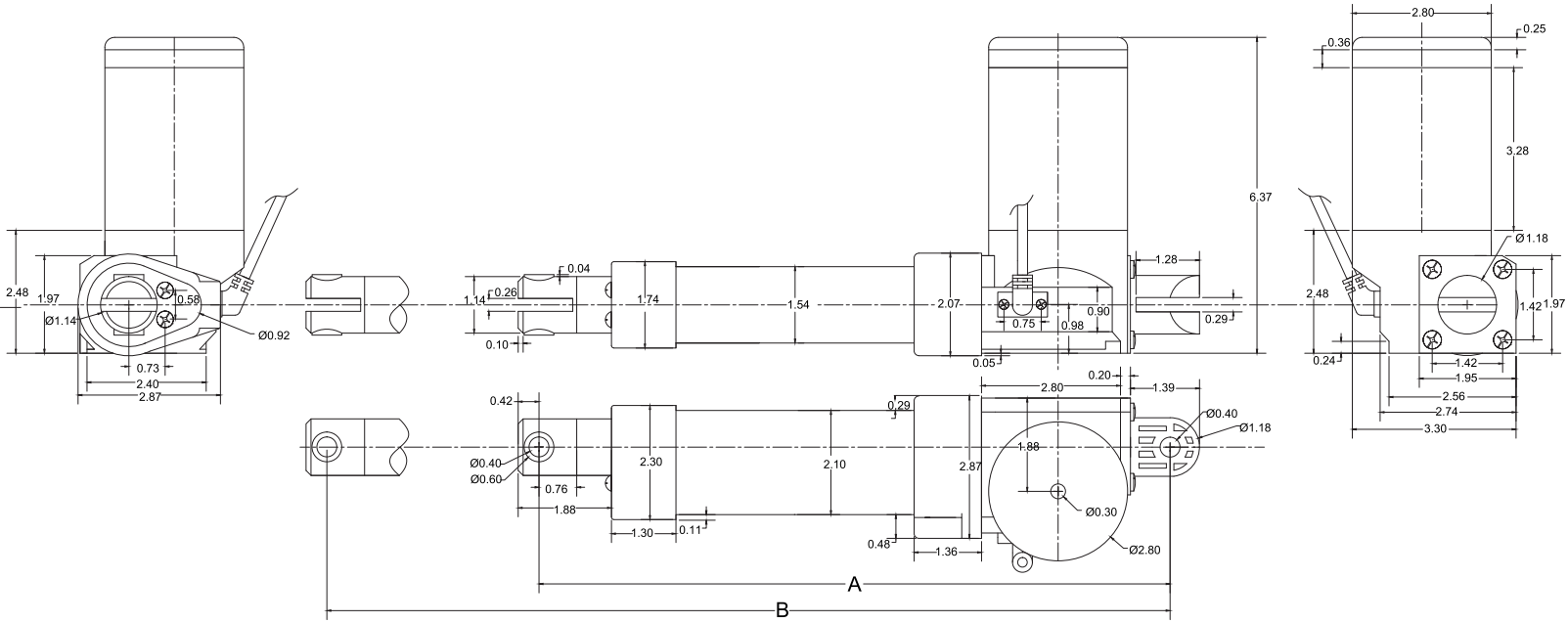
[progressiveautomations.com](http://progressiveautomations.com)

# Specifications

Load (LBS)		No Load Current (A)		Full Load Current (A)		Speed (inch/sec)	
Dynamic	Static	12VDC	24VDC	12VDC	24VDC	No Load	Full Load
100	100	4.0	2.0	12.0	6.0	2.80	2.16
400	400	4.0	2.0	12.0	6.0	0.98	0.78
600	600	4.0	2.0	12.0	6.0	0.50	0.30
900	900	4.0	2.0	12.0	6.0	0.47	0.39
1350	1350	4.0	2.0	12.0	6.0	0.31	0.24

<b>Stroke</b>	1" to 40"
<b>Limit Switch</b>	Internal - Non-Adjustable
<b>Limit Switch Feedback</b>	Available in 24VDC Only
<b>Screw Type</b>	ACME Screw
<b>Motor Type</b>	Brushed DC Motor
<b>Connector Type</b>	See Page 6
<b>Wire Length</b>	40" (customizable)
<b>Housing Material</b>	Aluminum Alloy
<b>Rod Material</b>	Aluminum Alloy
<b>Gear Material</b>	Polyformaldehyde
<b>Color (Shaft)</b>	Silver
<b>Color (Motor End)</b>	Black
<b>Noise</b>	<45dB
<b>Duty Cycle</b>	20% (4 minutes on, 16 minutes off)
<b>Operational Temperature</b>	-25°C to 65°C (-13°F to 149°F)
<b>Protection Class</b>	IP66
<b>Feedback Options</b>	Hall Effect, Reed Switch, or Limit Switch Feedback (see page 7)
<b>Certifications</b>	CE/RoHS, UL (customizable)
<b>Mounting Brackets</b>	See Page 8
<b>Mounting Ends</b>	See Page 7

# Dimensions



## Hole to Hole

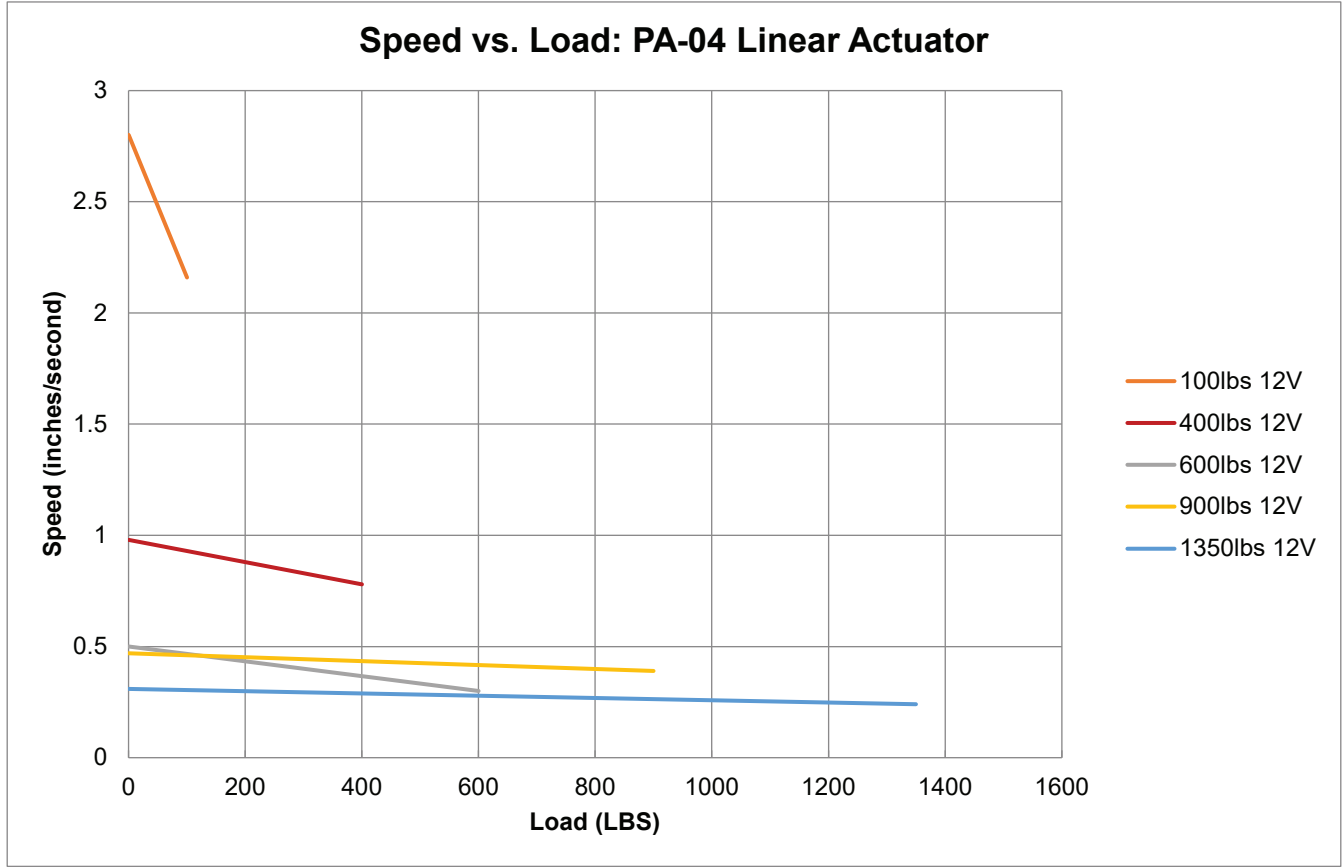
PA-04	Stroke	1	2	3	4	6	8	9	10	12	14	16	18	20	22	24	30	40	50	60
	A	8.87	9.87	10.87	11.87	13.87	15.87	16.87	17.87	19.87	21.87	23.87	25.87	27.87	29.87	31.87	37.87	47.87	57.87	67.87
B	9.87	11.87	13.87	15.87	19.87	23.87	25.87	27.87	31.87	35.87	39.87	43.87	47.87	51.87	55.87	67.87	87.87	107.87	127.87	

### For Stroke Length

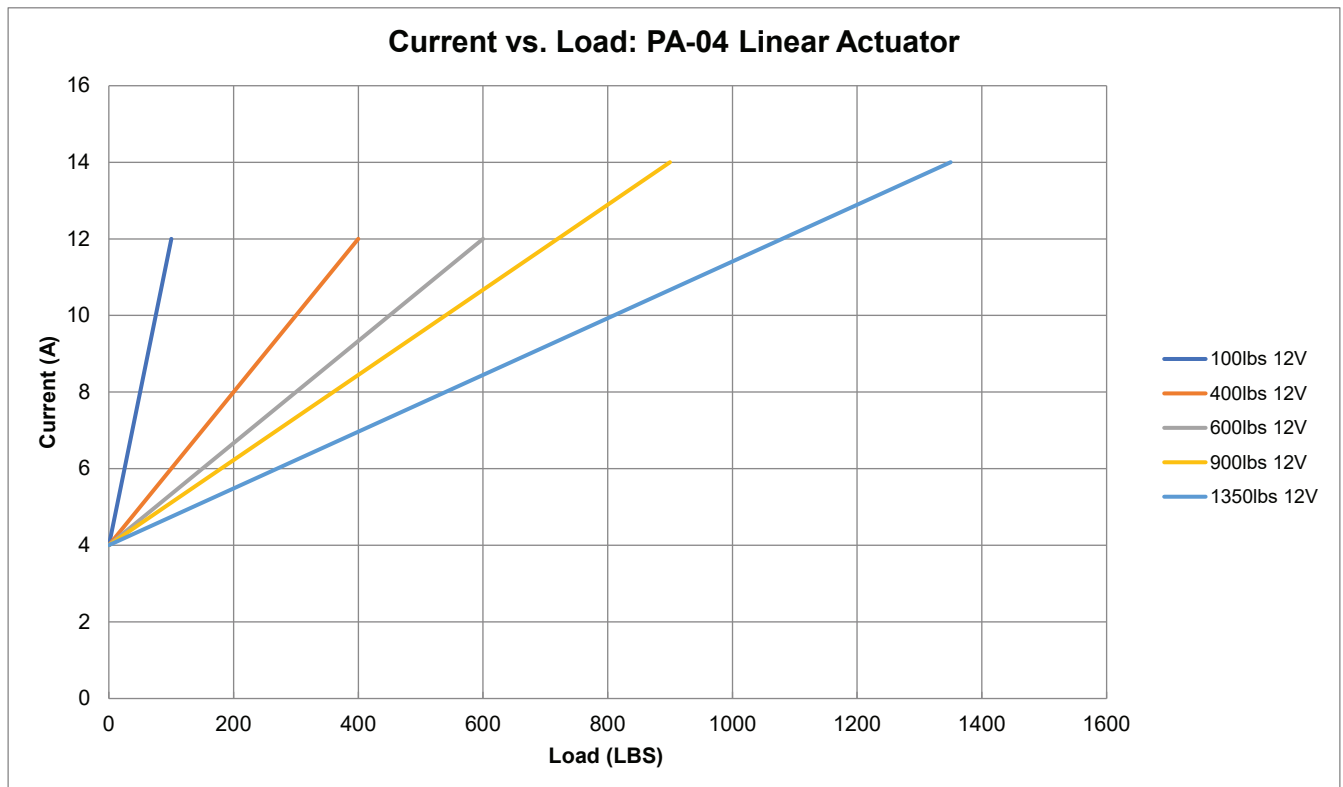
$$A = \text{Stroke Length} + 7.87''$$

$$B = \text{Stroke Length} \times 2 + 7.87''$$

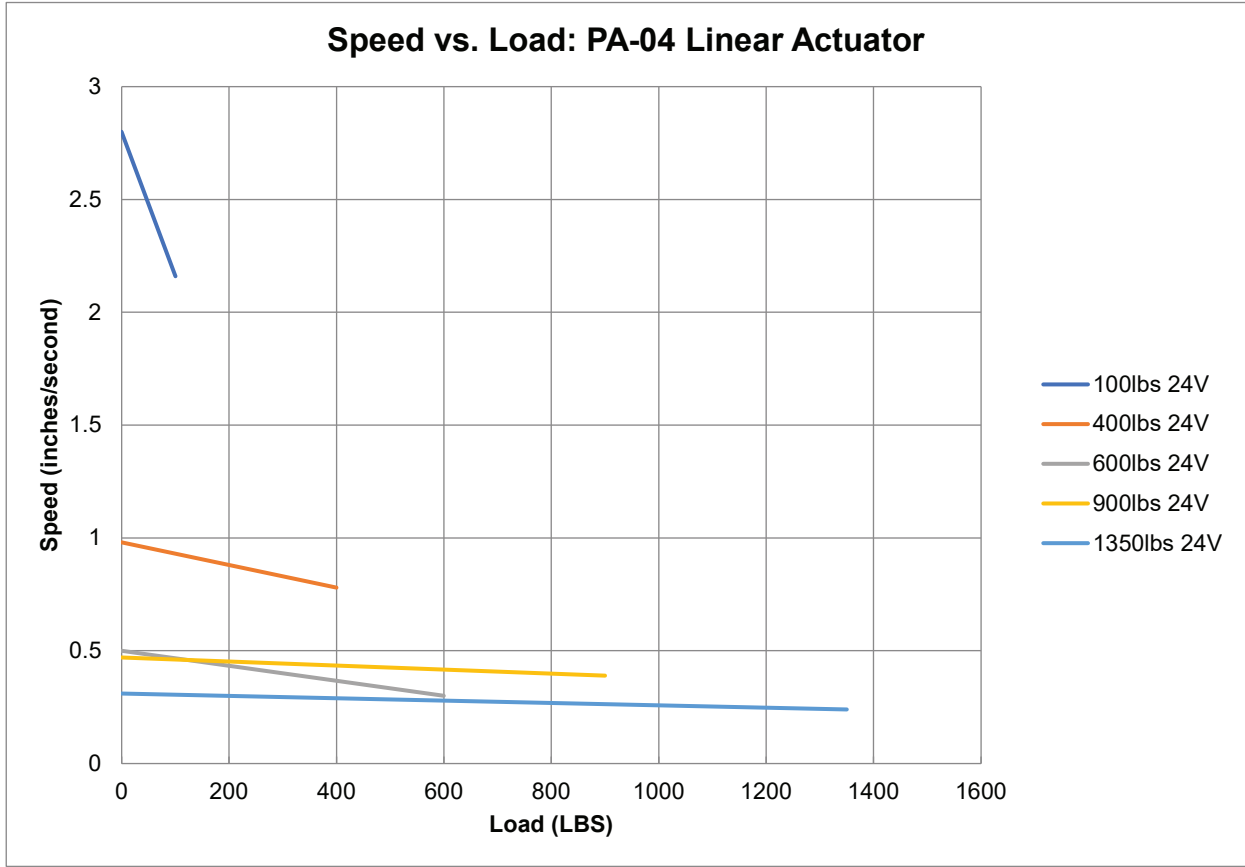
# Speed vs Load 12V



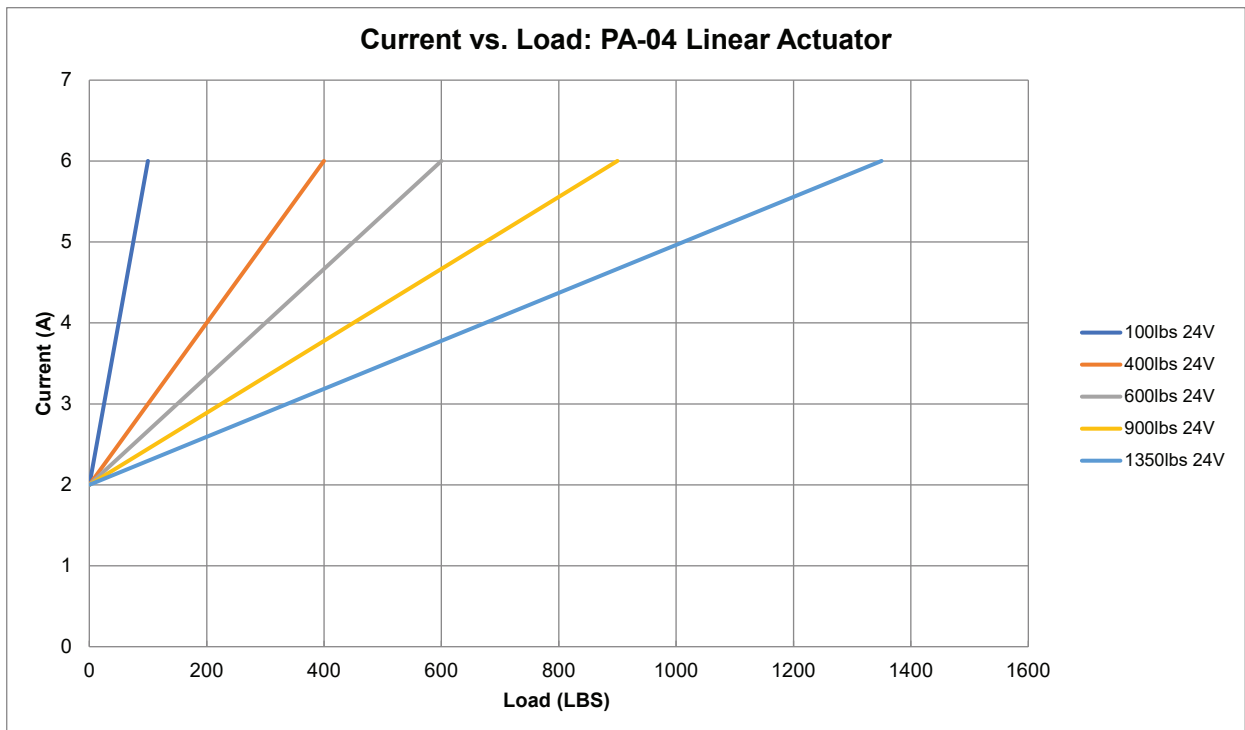
# Current vs Load 12V



# Speed vs Load 24V

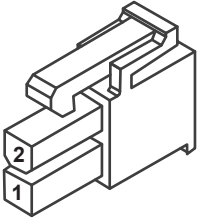


# Current vs Load 24V



# Connectors

## 2-Pin Connector (Standard)

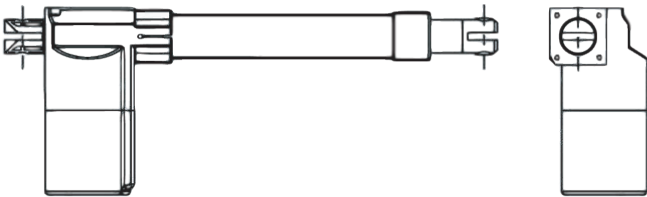


Motor	
2	1
M-	M+

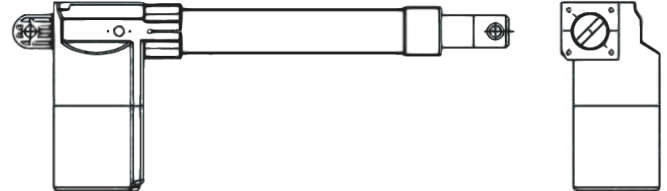
Component	Part Name	Part Number	Mating Part Number
Housing	Molex Mini Fit Jr 2-Pin Receptacle	39-01-2025	39-01-2029 39-01-2026

# Mounting Ends

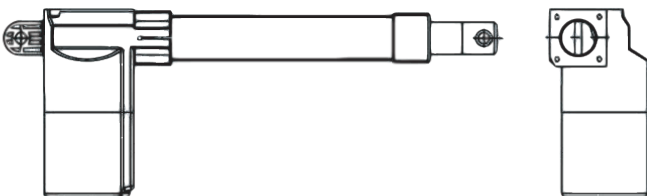
## H-Type Clevis (Standard)



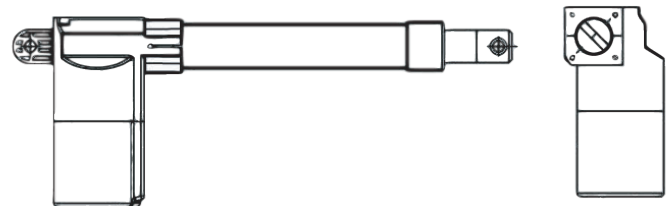
## 45 Degree Type Clevis 1



## V-Type Clevis



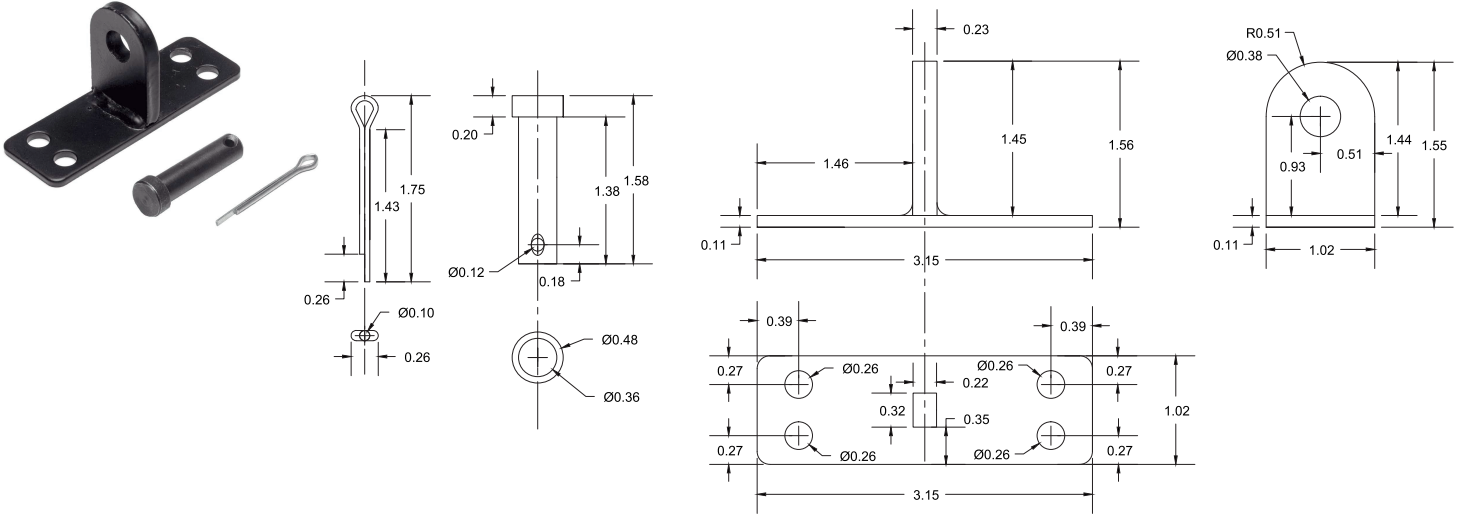
## 45 Degree Type Clevis 2



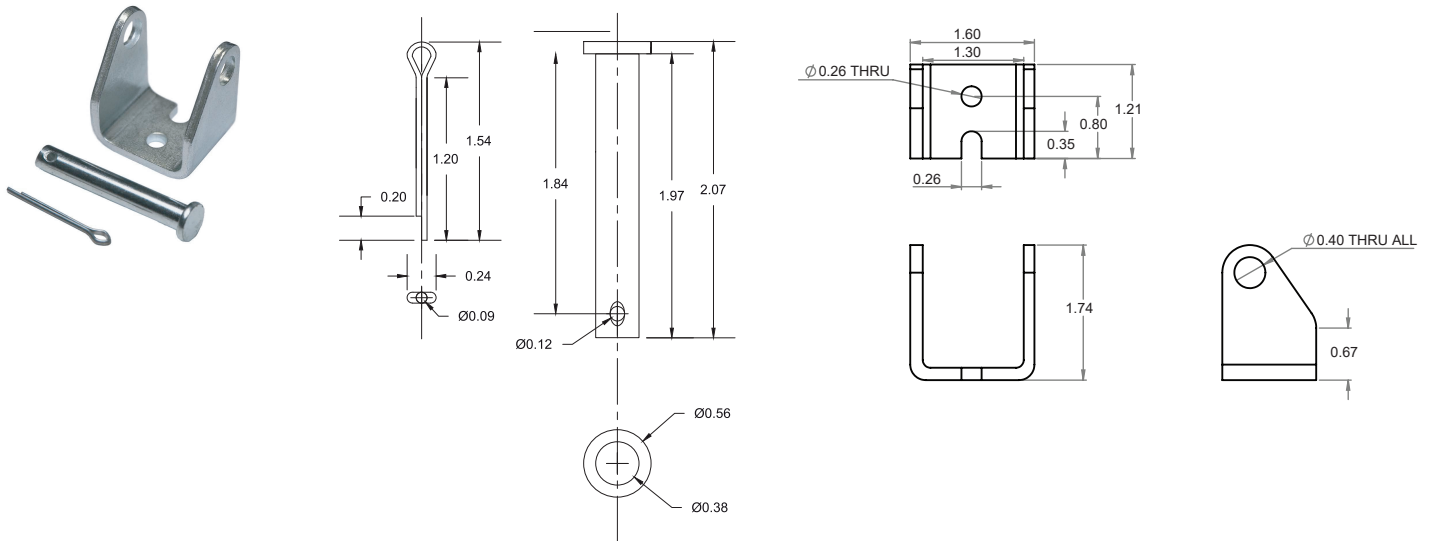
# Mounting Brackets

(Dimensions in inches)

## BRK-01

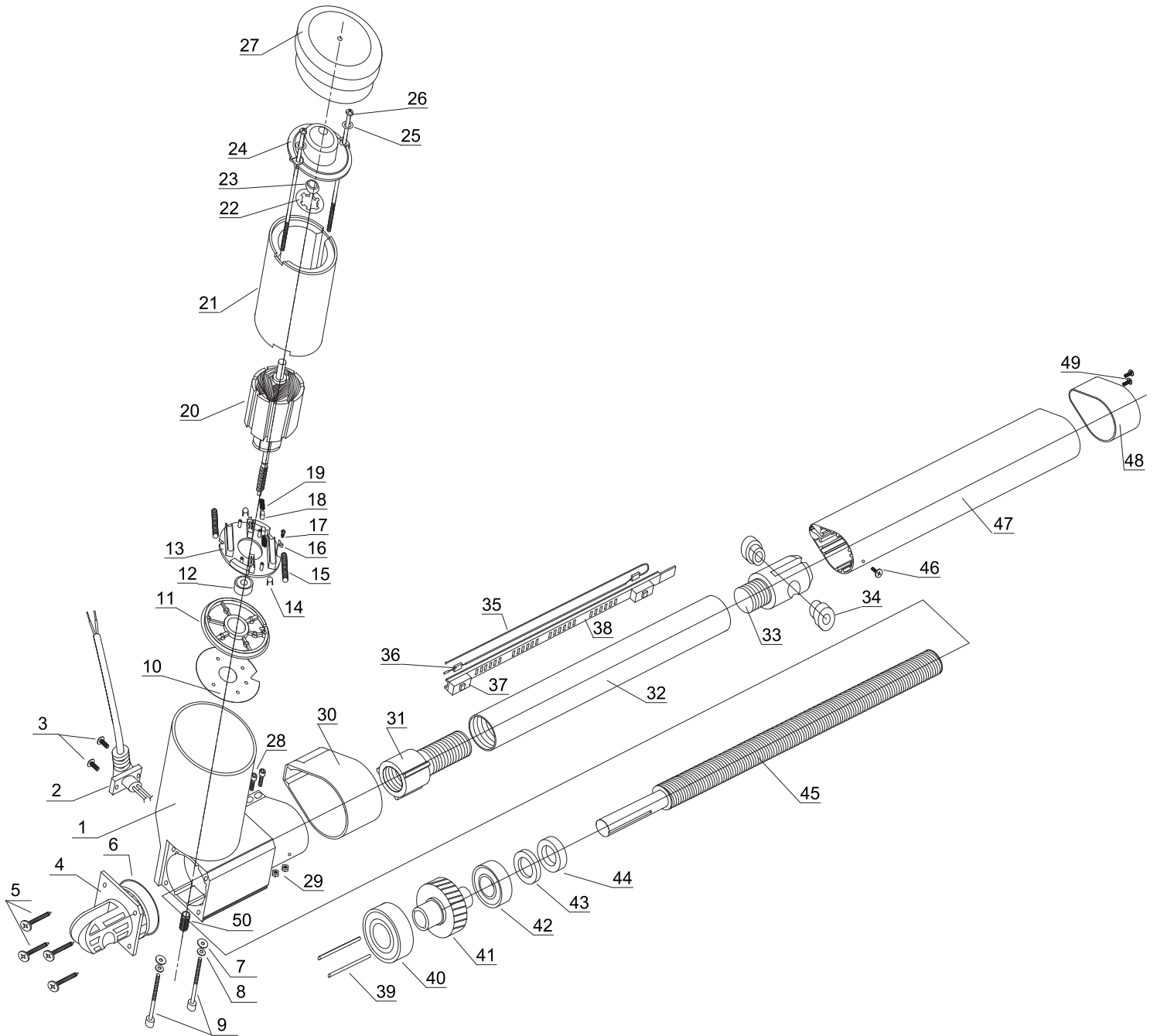


## BRK-02





# Internal Components



# Internal Descriptions

Item	Description	Qty
1	Actuator Enclosure	1
2	Power Cable With Mounting	1
3	Power Cable Screw	2
4	Case Mounting Bracket	1
5	Mounting Bracket Screw	4
6	Mounting Bracket O-Ring	1
7	Motor Unit Screw Washer	2
8	Motor Unit Screw Spring Washer	2
9	Motor Unit Screw	2
10	Motor Case Gasket	1
11	Motor Base	1
12	Motor Lower Bearing	1
13	Brush Holder PCB	1
14	Capacitor	2
15	Inductor	2
16	Cable Lock	1
17	Cable Lock Screw	1
18	Electric Motor Brush	2
19	Electric Motor Rotor	2
20	Bottom Cap With Mounting Hole	1
21	Electric Motor Enclosure With Stator	1
22	Top Bearing Holder	1
23	Top Bearing	1
24	Motor Top Enclosure	1
25	Motor Screw Washer	2
26	Motor Screw	2
27	Actuator Top Cap	1
28	Shaft Enclosure Side Screw	2
29	Shaft Enclosure Side Screw Nut	2
30	Shaft Enclosure Protector	1
31	Bottom Shaft Guide	1
32	Shaft	1
33	Shaft Mounting Top	1
34	Mounting Hole Guard	2
35	Wire	1
36	Diode	2
37	Limit Switch	2
38	Limit Switch Base	1
39	Drive Gear Wheel Pin	2
40	Shaft Drive Bottom Bearing	1
41	Drive Gear Wheel	1
42	Shaft Drive Bearing	1
43	Shaft Drive Small Spacer	1
44	Shaft Drive Spacer	1
45	Treaded Shaft Drive	1
46	Shaft Enclosure Screw	1
47	Shaft Enclosure	1
48	Shaft Enclosure Top Cap	1
49	Shaft Enclosure Top Cap Screw	1
50	Rotor Control Screw	1